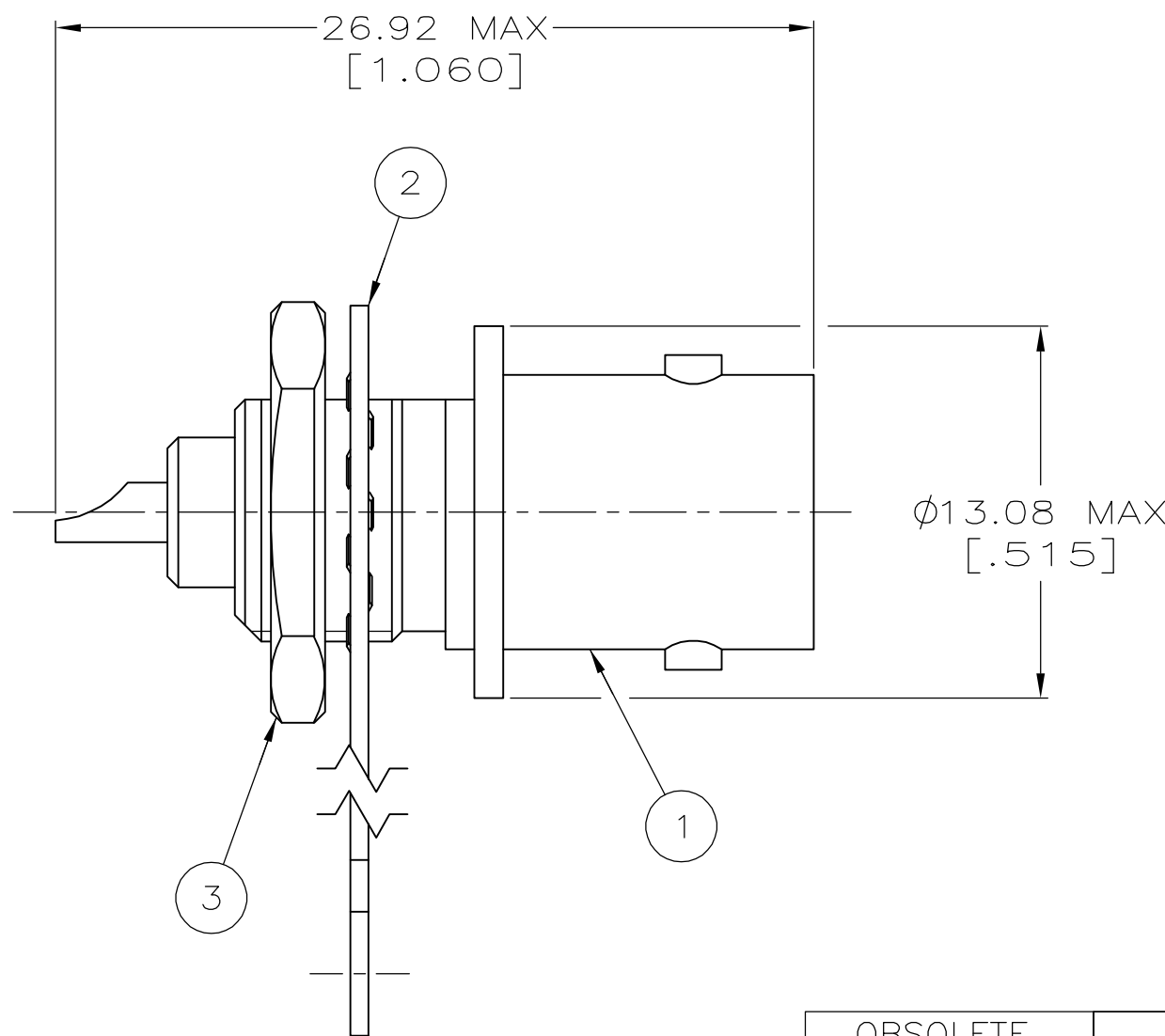
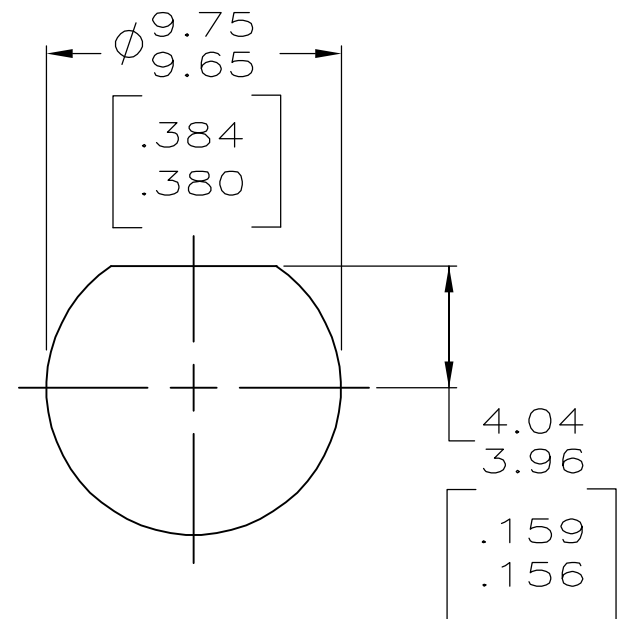


THIS DRAWING IS UNPUBLISHED. RELEASED FOR PUBLICATION
 © COPYRIGHT BY TYCO ELECTRONICS CORPORATION. ALL RIGHTS RESERVED.

| LOC | DIST | REVISIONS | | | |
|-----|------|---------------------------|-----------|-----|------|
| P | LTR | DESCRIPTION | DATE | DWN | APVD |
| | D1 | REVISED PER ECO-06-018704 | 06SEP2006 | MC | JH |



1. .125 MAX PANEL THICKNESS.



RECOMMENDED PANEL CUTOUT

| | | | | | | |
|----------|------------------|------------|----------------------------------|----------|--------------------|-------------|
| OBSOLETE | 1-330249-1 | 9-227260-0 | 227756-3 | 227755-3 | | |
| | 1-330249-1 | 9-227260-0 | 227756-2 | 227755-2 | | |
| | 1-330249-1 | 9-227260-0 | 227756-1 | 227755-1 | | |
| 3 | JAM NUT QTY=1 | 2 | LOCKWASHER, TERMINAL QTY=1 | 1 | JACK ASSY QTY=1 | PART NUMBER |

| | | | | |
|--|---|------------------------------|---|-----------|
| THIS DRAWING IS A CONTROLLED DOCUMENT. | | DWN J. LIPPERT 6-3-94 | Tyco Electronics Corporation Harrisburg, PA 17105-3608 | |
| DIMENSIONS: INCHES | TOLERANCES UNLESS OTHERWISE SPECIFIED: | CHK M. TOMCHAK 6-3-94 | NAME | |
| | 0 PLC ± - | APVD M. TOMCHAK 6-3-94 | SOLDER JACK, 50 OHM, SERIES BNC | |
| | 1 PLC ± - | PRODUCT SPEC | - | |
| | 2 PLC ± - | 108-12079 | SIZE | CAGE CODE |
| | 3 PLC ± - | APPLICATION SPEC | A3 | 00779 |
| | 4 PLC ± - | WEIGHT | DRAWING NO | |
| | ANGLES ± - | - | C-227755 | |
| MATERIAL | FINISH | CUSTOMER DRAWING | RESTRICTED TO | - |
| - | - | SCALE 4:1 | SHEET 1 OF 1 | REV D1 |